



■ Features :

- AC input active surge current limiting
- Protections: Short circuit / Overload / Over voltage / Over temperature
- Forced air cooling by built-in DC ball bearing fan
- High power density 7.8w/inch³
- With DC_OK signal output
- Built-in remote ON-OFF control
- Built-in remote sense function
- UL / CUL approved
- Low cost
- 2 years warranty

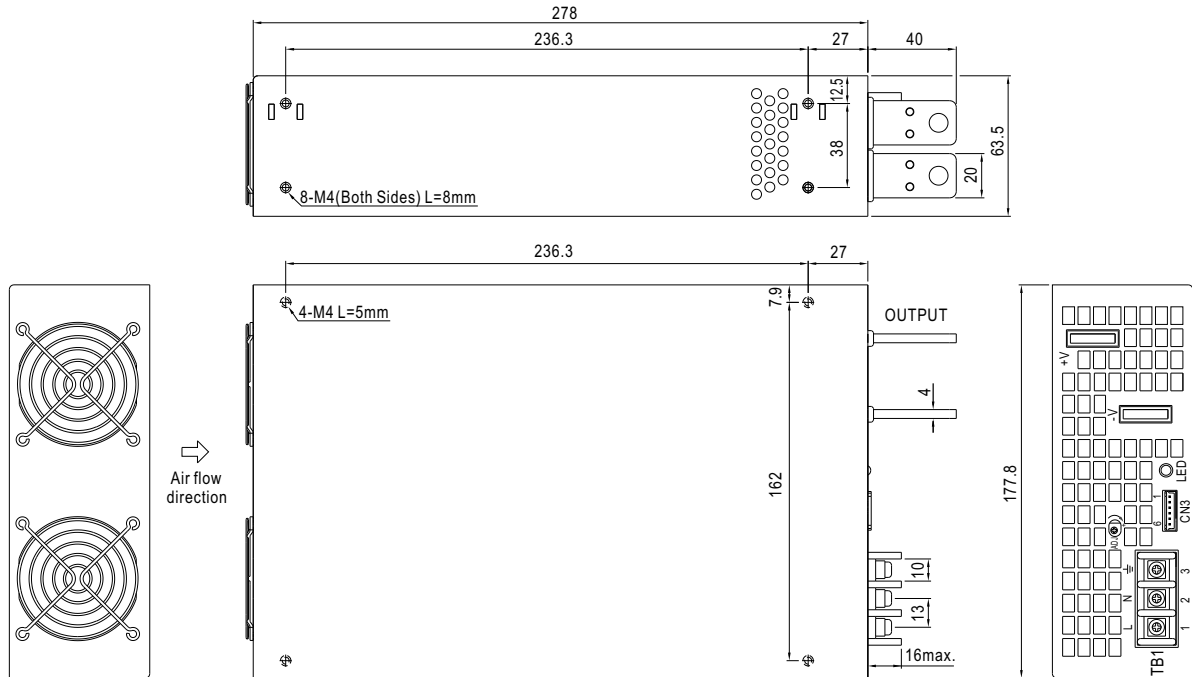


SPECIFICATION

| MODEL | SE-1500-5 | SE-1500-12 | SE-1500-15 | SE-1500-24 | SE-1500-27 | SE-1500-48 | |
|---------------------|--------------------------------------------------------------------------------------------------------------------------------------------------------------------------------------------------------------------------------------------------------------------------------------------------------------------------------------------------------------------------|-----------------------------------------------------------------------------------------------------------------------------------------------------------------------------------------------------------------|--------------|--------------|--------------|------------|--------------|
| OUTPUT | DC VOLTAGE | 5V | 12V | 15V | 24V | 27V | 48V |
| | RATED CURRENT | 300A | 125A | 100A | 62.5A | 55.6A | 31.3A |
| | CURRENT RANGE | 0 ~ 300A | 0 ~ 125A | 0 ~ 100A | 0 ~ 62.5A | 0 ~ 55.6A | 0 ~ 31.3A |
| | RATED POWER | 1500W | 1500W | 1500W | 1500W | 1501.2W | 1502.4W |
| | RIPPLE & NOISE (max.) Note.2 | 150mVp-p | 150mVp-p | 150mVp-p | 150mVp-p | 150mVp-p | 150mVp-p |
| | VOLTAGE ADJ. RANGE | 3.3 ~ 5.5V | 10.8 ~ 13.5V | 13.5 ~ 16.5V | 21.6 ~ 26.4V | 25 ~ 30V | 43.2 ~ 56V |
| | VOLTAGE TOLERANCE Note.3 | ±2.0% | ±1.0% | ±1.0% | ±1.0% | ±1.0% | ±1.0% |
| | LINE REGULATION | ±0.5% | ±0.5% | ±0.5% | ±0.5% | ±0.5% | ±0.5% |
| | LOAD REGULATION | ±2.0% | ±0.5% | ±0.5% | ±0.5% | ±0.5% | ±0.5% |
| | SETUP, RISE TIME | 150ms, 12ms / 230VAC at full load | | | | | |
| HOLD UP TIME (Typ.) | 26ms / 230VAC at full load | | | | | | |
| INPUT | VOLTAGE RANGE | 180 ~ 264VAC 254 ~ 370VDC | | | | | |
| | FREQUENCY RANGE | 47 ~ 63Hz | | | | | |
| | EFFICIENCY (Typ.) | 81% | 85% | 85% | 87% | 88% | 89% |
| | AC CURRENT (Typ.) | 17.5A / 230VAC | | | | | |
| | INRUSH CURRENT (Typ.) | 60A / 230VAC | | | | | |
| | LEAKAGE CURRENT | <3.5mA / 240VAC | | | | | |
| PROTECTION | OVERLOAD | 105 ~ 125% rated output power Protection type : Shut down o/p voltage, re-power on to recover | | | | | |
| | OVER VOLTAGE | 5.75 ~ 6.75V | 14.5 ~ 16.2V | 18 ~ 21V | 27.6 ~ 32.4V | 31 ~ 35V | 57.6 ~ 67.2V |
| | OVER TEMPERATURE | 95°C ±5°C (5V), 85°C ±5°C (12V,15V), 80°C ±5°C (24V), 75°C ±5°C (27V,48V) (TSW1) detect on heatsink of o/p diode Protection type : Shut down o/p voltage, recovers automatically after temperature goes down | | | | | |
| FUNCTION | DC_OK SIGNAL | PSU turn on:3.3V ~ 5.6V PUS turn off:0 ~ 1V | | | | | |
| | REMOTE CONTROL | RC+/RC-: 0 ~ 0.8V power on; 4 ~ 10V power off | | | | | |
| ENVIRONMENT | WORKING TEMP. | -20 ~ +70°C (Refer to output load derating curve) | | | | | |
| | WORKING HUMIDITY | 20 ~ 90% RH non-condensing | | | | | |
| | STORAGE TEMP., HUMIDITY | -40 ~ +85°C, 10 ~ 95% RH | | | | | |
| | TEMP. COEFFICIENT | ±0.05%/°C (0 ~ 50°C) | | | | | |
| | VIBRATION | 10 ~ 500Hz, 2G 10min./1cycle, 60min. each along X, Y, Z axes | | | | | |
| SAFETY & EMC | SAFETY STANDARDS | UL60950-1 approved | | | | | |
| | WITHSTAND VOLTAGE | I/P-O/P:3KVAC I/P-FG:1.5KVAC O/P-FG:0.5KVAC | | | | | |
| | ISOLATION RESISTANCE | I/P-O/P, I/P-FG, O/P-FG:100M Ohms / 500VDC / 25°C / 70% RH | | | | | |
| OTHERS | MTBF | 134.5K hrs min. MIL-HDBK-217F (25°C) | | | | | |
| | DIMENSION | 278*177.8*63.5mm (L*W*H) | | | | | |
| | PACKING | 3.3Kg; 4pcs/14.2Kg/1.14CUFT | | | | | |
| NOTE | <p>1. All parameters NOT specially mentioned are measured at 230VAC input, rated load and 25°C of ambient temperature.</p> <p>2. Ripple & noise are measured at 20MHz of bandwidth by using a 12" twisted pair-wire terminated with a 0.1uf & 47uf parallel capacitor.</p> <p>3. Tolerance : includes set up tolerance, line regulation and load regulation.</p> | | | | | | |

Mechanical Specification

Case No.982A Unit:mm



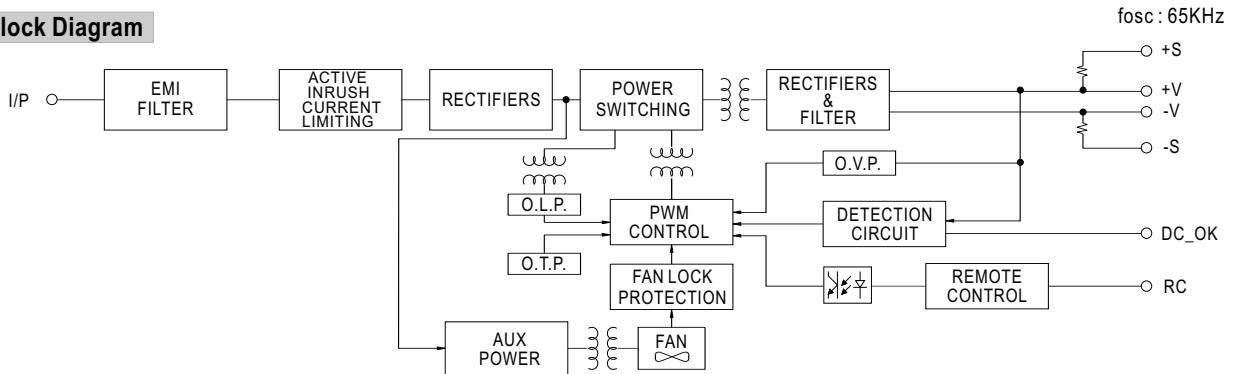
Terminal Pin No. Assignment :

| Pin No. | Assignment |
|---------|------------|
| 1 | AC/L |
| 2 | AC/N |
| 3 | FG \perp |

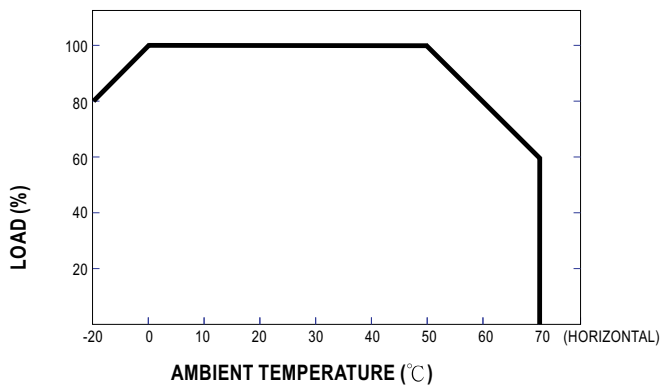
Control Pin (CN3) : JST B6B-XH or equivalent

| Pin No. | Assignment | Pin No. | Assignment | Mating Housing | Terminal |
|---------|--------------|---------|------------|-----------------------|----------------------------|
| 1 | DC_OK Signal | 4 | +S | JST XHP or equivalent | JST SXH-001T or equivalent |
| 2 | DC_OK GND | 5 | RC- | | |
| 3 | -S | 6 | RC+ | | |

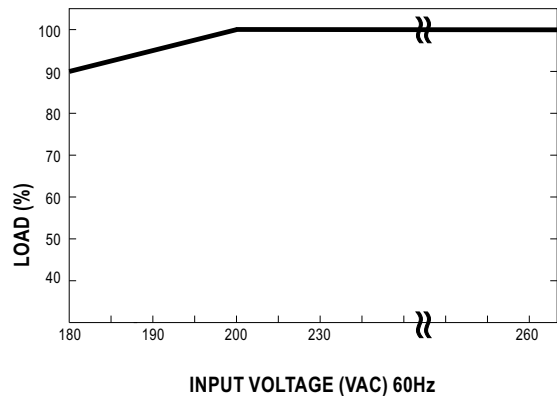
Block Diagram



Derating Curve



Static Characteristics



■ Function Description of CN3

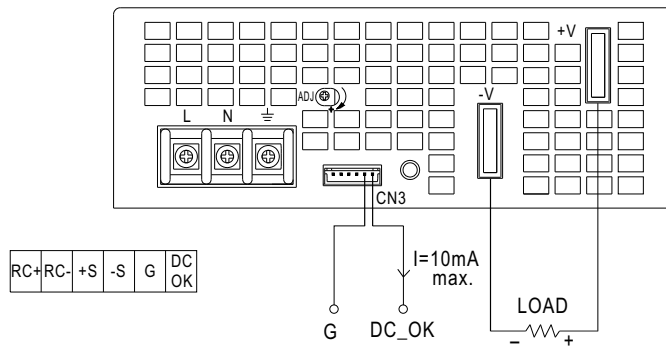
| Pin No. | Function | Description |
|---------|----------|---------------------------------------------------------------------------------------------------------------------------------------------------------------------------|
| 1 | DC_OK | DC_OK signal is a TTL level signal, referenced to pin2(DC_OK GND). High when PSU turns on. |
| 2 | GND | This pin connects to the negative terminal (-V). Return for DC_OK signal output. |
| 3 | -S | Negative sensing. The -S signal should be connected to the negative terminal of the load. The -S and +S leads should be twisted in pair to minimize noise pick-up effect. |
| 4 | +S | Positive sensing. The +S signal should be connected to the positive terminal of the load. The +S and -S leads should be twisted in pair to minimize noise pick-up effect. |
| 5 | RC- | Return for RC+ signal input. |
| 6 | RC+ | Turns the output on and off by electrical or dry contact between pin 6 (RC+) and pin 5 (RC-). 0~0.8V: Power ON, 4~10V: Power OFF. |

■ Function Manual

1. DC_OK Signal

DC_OK Signal is a TTL level signal. High when PSU turns on.

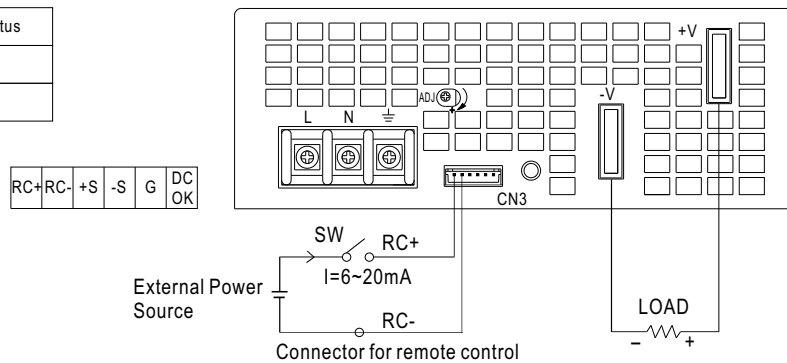
| Between DC_OK(pin1) and GND(pin2) | Output Status |
|-----------------------------------|---------------|
| 3.3 ~ 5.6V | ON |
| 0 ~ 1V | OFF |



2. Remote Control

The PSU can be turned ON/OFF by using the "Remote Control" function.

| Between RC+(pin6) and RC-(pin5) | Output Status |
|---------------------------------|---------------|
| SW OFF (0 ~ 0.8V) | ON |
| SW ON (4 ~ 10V) | OFF |



3. Remote Sense

